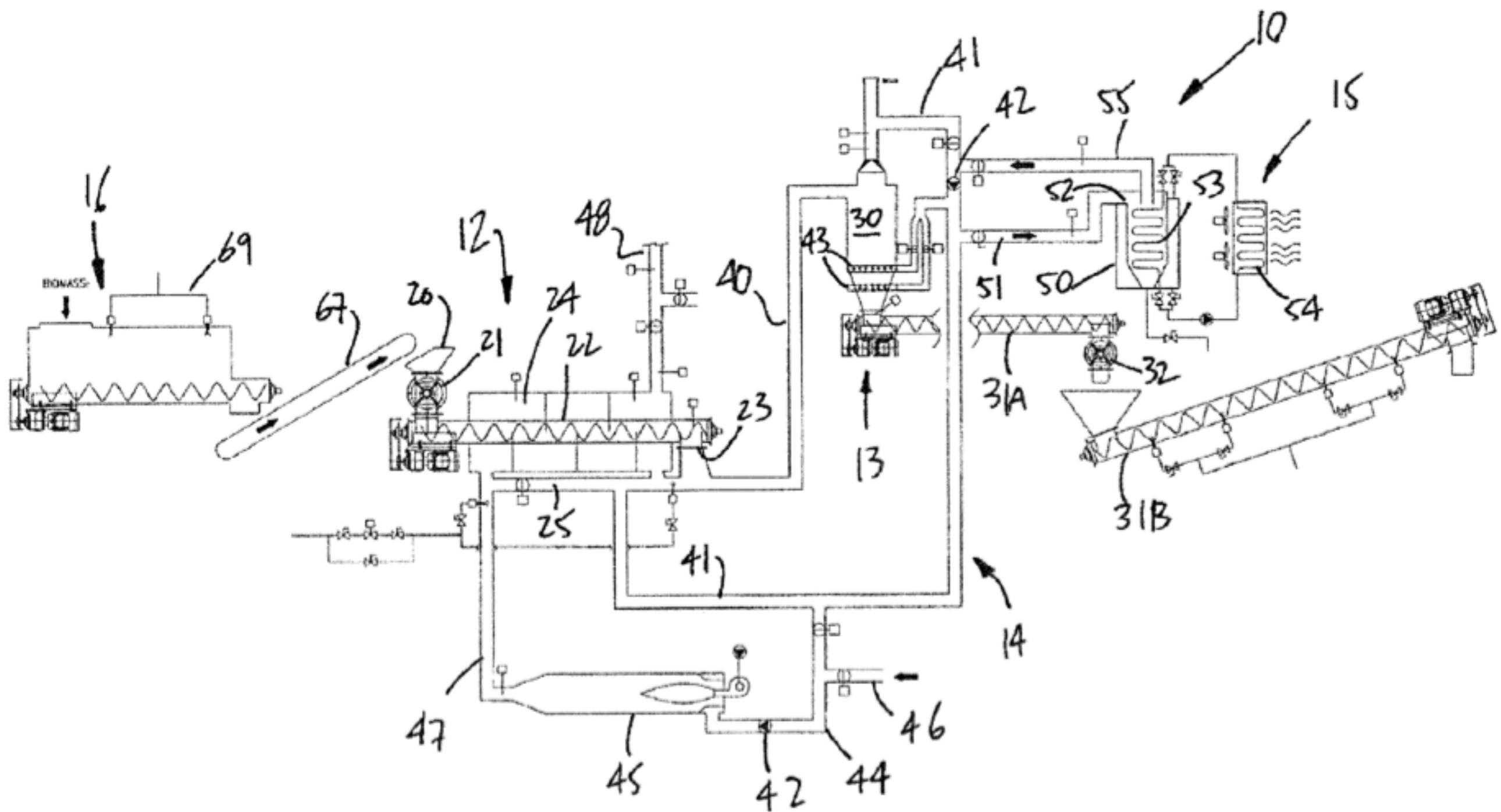
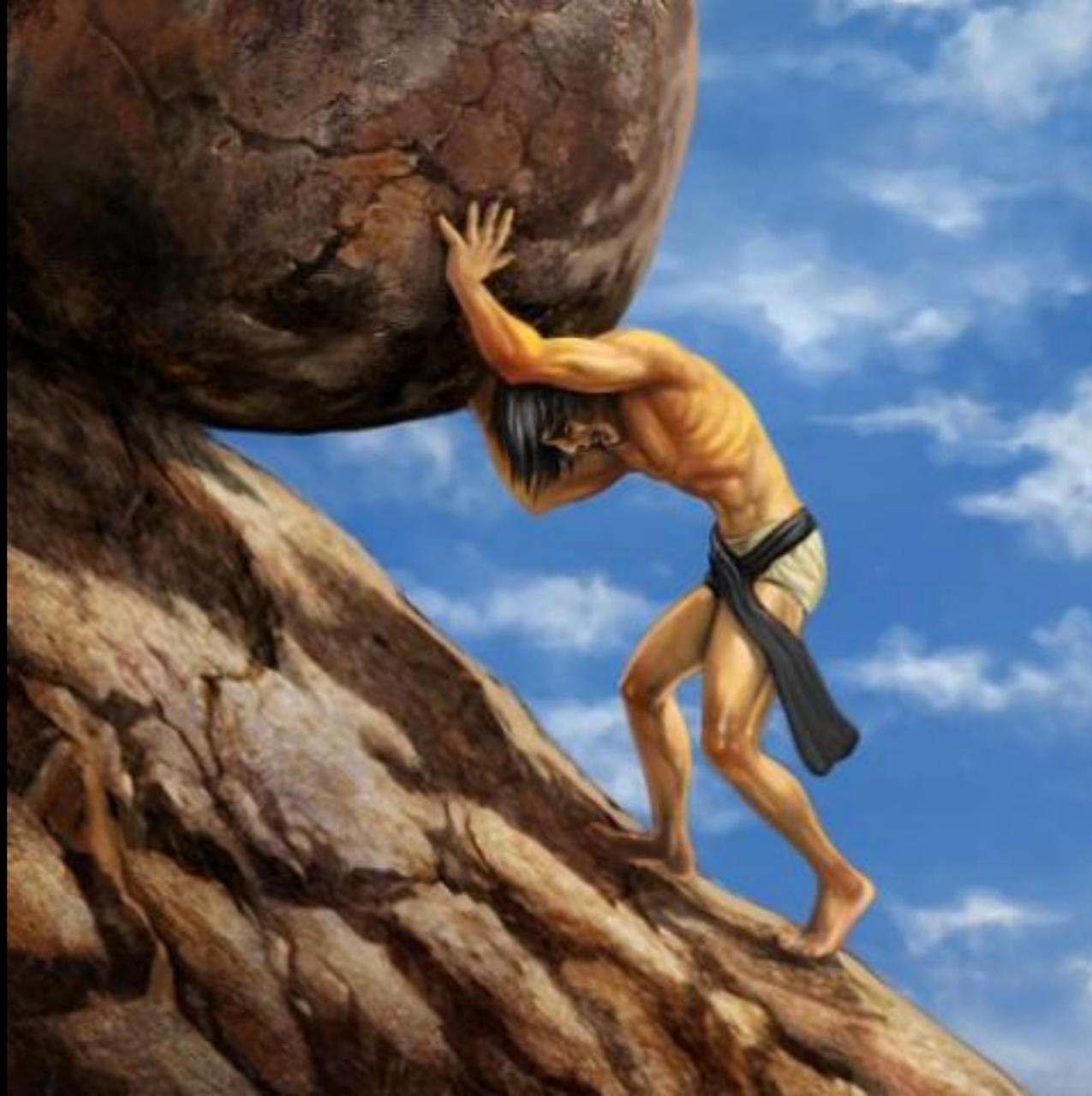


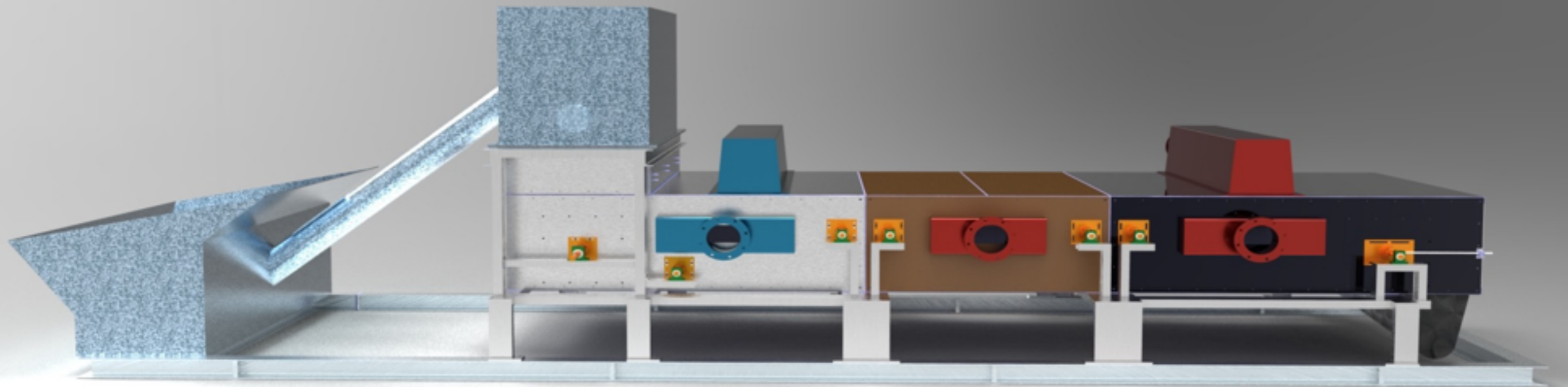
- Precise temperature control is challenging with indirect heat
- Scaling is challenging, entire system needs to be re-engineered for larger capacity
- Plants are complex at larger scale - lots of stuff can break down
- Staged pyrolysis requires multiple auger systems





Even if the energy, complexity and capital expended to turn tonnes of biomass, over and over, day after day, is considered to be financially viable, the constraints this approach imposes on the system as a whole have a *significant* opportunity cost.

-Sisyphus



In-feed bin

Drying

Condensable
gas extraction

Pyrolysis +
syngas
extraction

120° C

300° C

450° C +

Horizontal Bed Kiln

